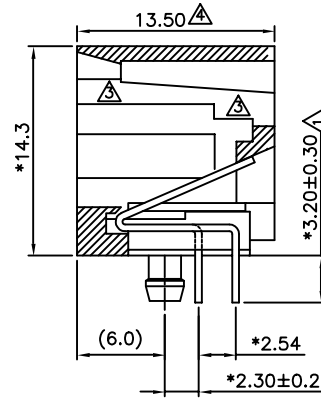
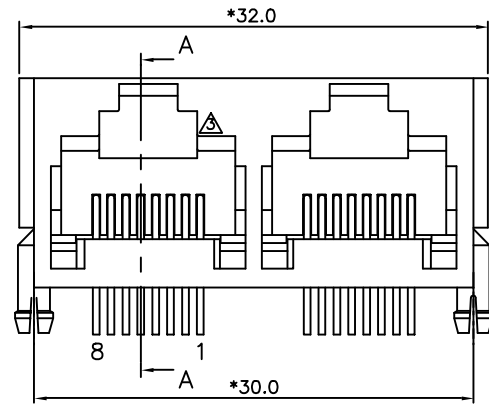
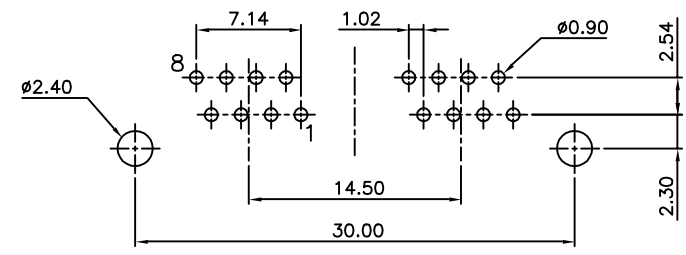
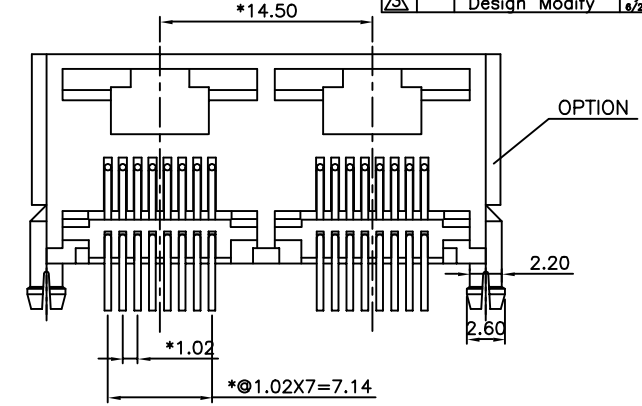


| REVISION RECORD | | | | |
|-----------------|-----|---------------|----------|------|
| REV | ECO | DESCRIPTION | DRFT | CHKD |
| △ | | DIM MODIFY | PSP | |
| △ | | ADD PART NO. | 02/01/02 | |
| △ | | Design Modify | 3/14/03 | |
| | | | SYNGE | |
| | | | 6/23/03 | |



SECTION A-A



PC Board Layout Component Side Shown

NOTES:

ELECTRICAL:

1. VOLTAGE RATING : 125 VAC RMS.
2. CURRENT RATING : 1.5 AMP.
3. CONTACT RESISTANCE : 30 MILLIOHMS MAX.
4. INSULATION RESISTANCE: 1000 MEGOHMS MIN @ 500 VDC.
5. DIELECTRIC STRENGTH : 1000 VAC RMS 60Hz, 1MIN.

MECHANICAL:

1. HOUSING MATERIAL : GLASS FILLED POLYESTER UL94V-0.
2. CONTACT MATERIAL : PHOSPHOR BRONZE ϕ 0.46mm.
3. PLATING : GOLD PLATING OVER NICKEL.
4. OPERATING LIFE : 750 CYCLES MIN.
5. PCB RETENTION PRE-SOLDER : 1 LB MIN.
6. PCB RETENTION POST-SOLDER: 10 LBS MIN.

ENVIRONMENTAL:

1. STORAGE : -40°C TO +85°C.
2. OPERATION: 0°C TO 70°C.

MATES WITH MODULAR PLUG CONFORMING TO FCC PART 68, SUBPART F.

CUL FILE NO. E163191

PART NUMBER: E558X-20AXXX

| | | |
|--------------------|--------------------|-----------|
| NO. OF CONTACT: | 1- 3u" | 2- 6u" |
| 2- 2C | 3-15u" | 4-30u" |
| 4- 4C | 5-50u" | 6-Pd 20u" |
| 6- 6C | | |
| 8- 8C | | |
| 5-A06-0080 BK | 1- WITH PANEL STOP | |
| △ W-A06-1550 GREEN | 2- W/O PANEL STOP | |
| △ D-A06-0600 GRAY | | |

| | | | |
|----------------------------|---|----------------------|-----------------|
| ← MM (INCH) → | | DFTO SYANG | DATE 3/17/98 |
| TOLERANCES EXCEPT AS NOTED | | CHKD | DATE |
| | | MFO | DATE |
| MM | | APPVL XLF | DATE 2004/11/16 |
| .0 ± 0.2 | ± | MATERIAL : | |
| .00 ± 0.15 | ± | QTY : | |
| .000 ± 0.075 | ± | FINISH : | |
| ANGLES ± 0.5 | | SCALE : 3 : 1 | |
| THIRD ANGLE PROJECTION | | DO NOT SCALE DRAWING | |

| | | | |
|-------------------------------|--|------|-----|
| FULL RISE ELECTRONIC CO., LTD | | | |
| TITLE | | | |
| MINI L/P DUAL PORT 8P | | | |
| DRAWING NO. GE553037 | | SIZE | REV |
| /PART NO. SEE NOTE | | A3 | 5 |
| SHEET | | OF | |